



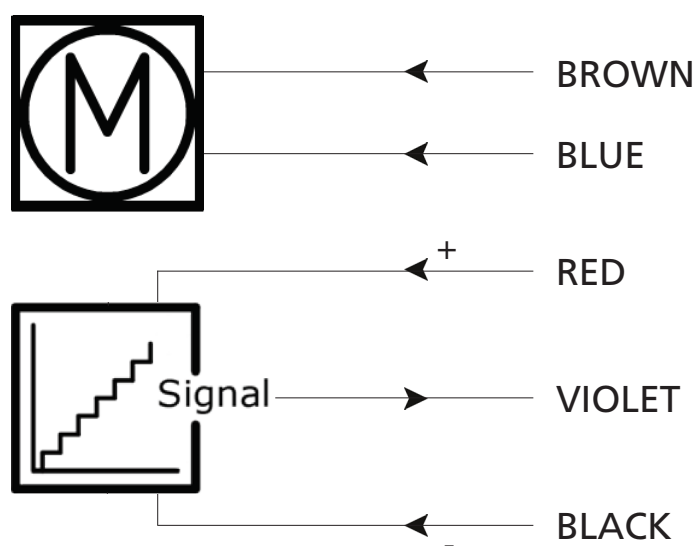
Actuator LA25

Absolute positioning - Analogue feedback


Connection diagram

Connection diagram

25XXXXXXXXX0A0X0X=XXXXX0XXXXXXXX



I/O Specifications

Input/Output	Specification	Comments
Description	The actuator can be equipped with electronic circuit that gives an analogue feedback signal when the actuator moves. See connection diagram, figure above	
Brown	12-24VDC (+/-) 12V ± 20% 24V ± 10%	To extend actuator: Connect Brown to positive To retract actuator: Connect Brown to negative
Blue	Under normal conditions: 12V, max. 5A depending on load 24V, max. 2.5A depending on load	To extend actuator: Connect Blue to negative To retract actuator: Connect Blue to positive
Red	Signal power supply (+) 12-24VDC	Current consumption: Max. 60mA, also when the actuator is not running
Black	Signal power supply GND (-)	
Green	Not to be connected	
Yellow	Not to be connected	
Violet	Analogue feedback 0-10V (Feedback level 1) 0.5-4.5V (Feedback level 2)	Tolerances +/- 0.2V Max. current output: 1mA Ripple max. 200mV Transaction delay 20ms Linear feedback 0.5% Source current max. 1mA
	4-20mA (Feedback level 3) Special (Feedback level 9)	Tolerances +/- 0.2mA Transaction delay 20ms Linear feedback 0.5% Output: Source Serial resistance: 12V max 300 ohm 24V max. 900 ohm
White	Not to be connected	



For actuators with analogue feedback it is recommended to fully extend and retract the actuator on a regular basis (thereby activating the limit switches) in order to ensure precise positioning.

Terms of use

The user is responsible for determining the suitability of LINAK products for specific application. LINAK takes great care in providing accurate and up-to-date information on its products.

However, due to continuous development in order to improve its products, LINAK products are subject to frequent modifications and changes without prior notice. Therefore, LINAK cannot guarantee the correct and actual status of said information on its products.

While LINAK uses its best efforts to fulfill orders, LINAK cannot, for the same reasons as mentioned above, guarantee the availability of any particular product. Therefore, LINAK reserves the right to discontinue the sale of any product displayed on its website or listed in its catalogues or other written material drawn up by LINAK.

All sales are subject to the Standard Terms of Sale and Delivery for LINAK. For a copy hereof, please contact LINAK.