



Actuator LA14
IC Advanced without feedback and without EOS
Connection diagram

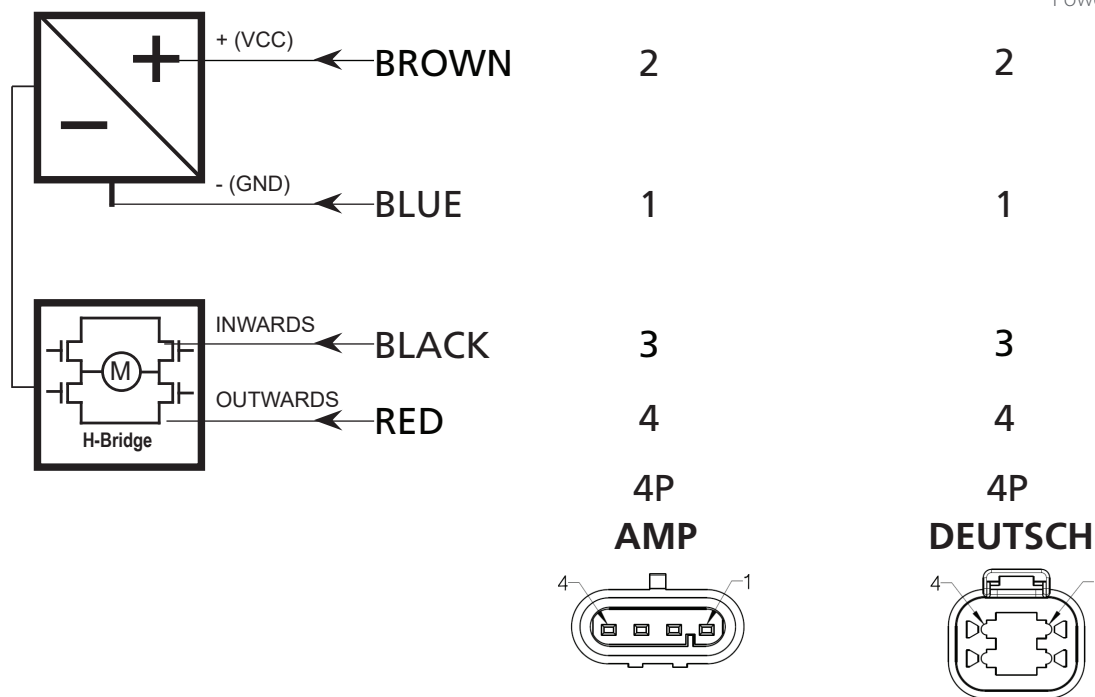
Connection diagram

14XXXXXXXXX003X1X=XX0XXXXXXXXX0X

IC INTEGRATED CONTROLLER

Compliant with:

PLUS 1[®]
Powered by **Danfoss**



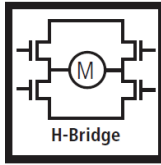
Please be aware that if the power supply is not properly connected, you might damage the actuator!



Configuration of IC Advanced is possible with the BusLink software for PC. The newest version is available online at LINAK.COM/TECHLINE

Please note: The BusLink configuration cable must be purchased separately. Item number for BusLink cable kit: 0147997 (adapter + USB2Lin)

I/O Specifications

Input/Output	Specification	Comments
Description	<p>Easy to use interface with integrated power electronics (H-bridge). The actuator can also be equipped with electronic circuit that gives an absolute or relative feedback signal. The version with "IC option" cannot be operated with PWM (power supply).</p>	 <p>H-Bridge</p>
Brown	<p>12-24 VDC + (VCC) Connect Brown to positive 12 V ± 20% - max. 5 A depending on load 24 V ± 10% - max. 2.5 A depending on load 12 V, current limit 8 A 24 V, current limit 5 A</p>	<p>Note: Do not change the power supply polarity on the brown and blue wires!</p> <p>Power supply GND (-) is electrically connected to the housing</p>
Blue	<p>12-24 VDC - (GND) Connect Blue to negative 12 V ± 20% - max. 5 A depending on load 24 V ± 10% - max. 2.5 A depending on load 12 V, current limit 8 A 24 V, current limit 5 A</p>	<p>Current limit levels can be adjusted through BusLink</p> <p>If the temperature drops below 0°C, all current limits will automatically increase to 9 A for 12 V, and 6 A for 24 V</p>
Red	Extends the actuator	<p>On/off voltages: > 67% of V_{IN} = ON < 33% of V_{IN} = OFF Input current: 10mA</p>
Black	Retracts the actuator	
Green	Not to be connected	
Yellow	Not to be connected	
Violet	Not to be connected	
White	Not to be connected	



- Current cut-offs should not be used as stop function! This might damage the actuator. Current cut-offs should only be used in emergencies!
- Current cut-off limits are not proportional with the load curves of the actuator. This means that the current cut-offs cannot be used as load indicator.
- There are tolerances on the spindle, nut, gear wheels etc. and these tolerances will have an influence on the current consumption for the specific actuator.

Terms of use

LINAK® takes great care in providing accurate and up-to-date information on its products. However, the user is responsible for determining the suitability of LINAK® products for a specific application.
Due to continuous development, LINAK products are subject to frequent modifications and changes. LINAK reserves the rights to conduct modifications, updates, and changes without any prior notice. For the same reason, LINAK cannot guarantee the correctness and actual status of imprinted information on its products.
LINAK uses its best efforts to fulfill orders. However, for the reasons mentioned above, LINAK cannot guarantee availability of any particular product at any given time. LINAK reserves the right to discontinue the sale of any product displayed on its website or listed in its catalogues or in other written material created and produced by LINAK, LINAK subsidiaries, or LINAK affiliates.
All sales are subject to the 'Standard Terms of Sale and Delivery for LINAK A/S'. Please contact LINAK for a copy.

Terms of use

LINAK® takes great care in providing accurate and up-to-date information on its products. However, the user is responsible for determining the suitability of LINAK® products for a specific application.

Due to continuous development, LINAK products are subject to frequent modifications and changes. LINAK reserves the rights to conduct modifications, updates, and changes without any prior notice. For the same reason, LINAK cannot guarantee the correctness and actual status of imprinted information on its products.

LINAK uses its best efforts to fulfill orders. However, for the reasons mentioned above, LINAK cannot guarantee availability of any particular product at any given time. LINAK reserves the right to discontinue the sale of any product displayed on its website or listed in its catalogues or in other written material created and produced by LINAK, LINAK subsidiaries, or LINAK affiliates.

All sales are subject to the 'Standard Terms of Sale and Delivery for LINAK A/S'. Please contact LINAK for a copy.