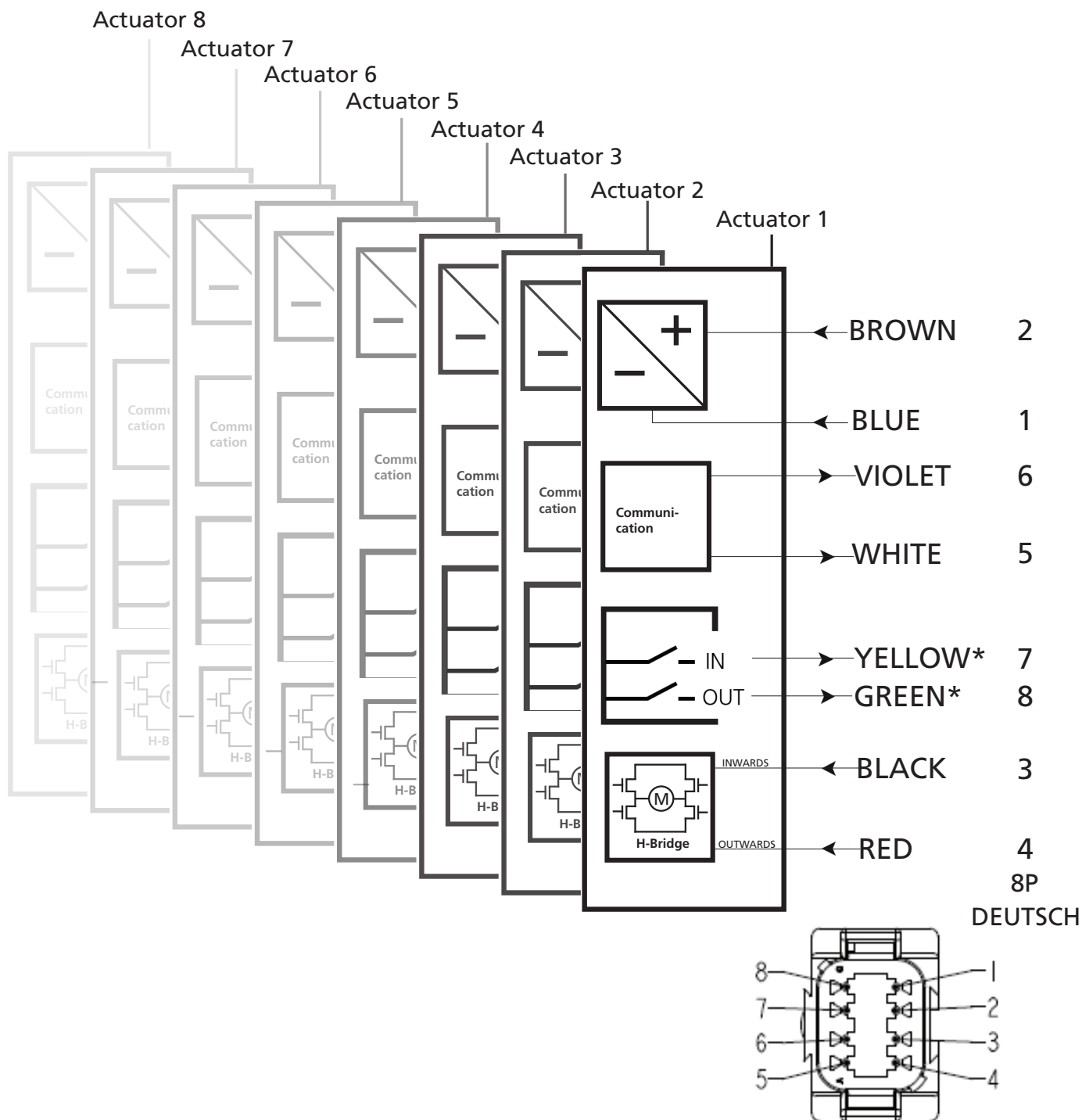




Actuator LA14
IC Parallel
Connection diagram

Connection diagram

14XXXXXXXXX003X1X=XX1XXXXXXXXXZX



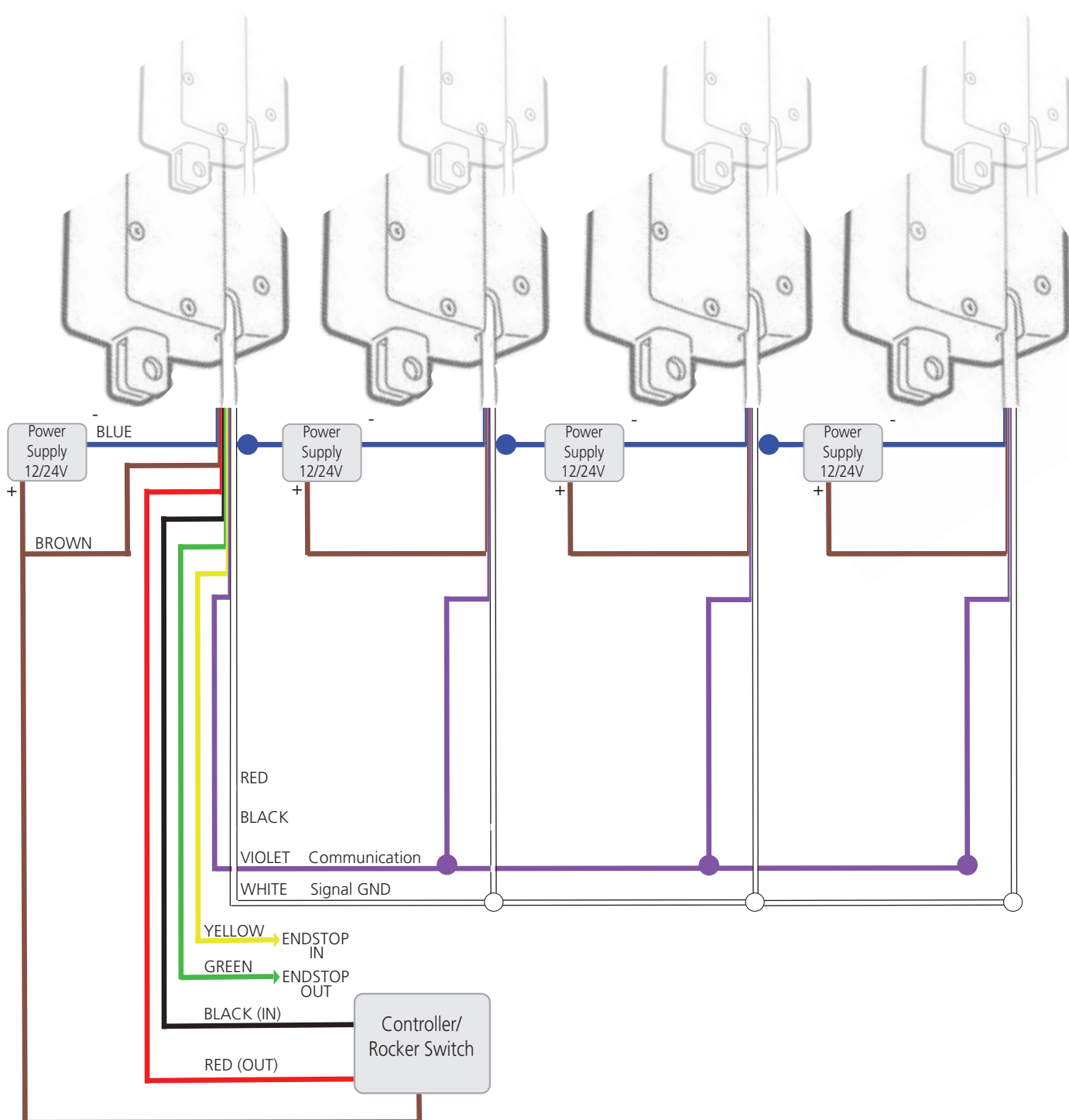
Copyright © LINAK 2021.01 - MA-M9-02-597-8 - LINAK A/S reserves the right to make technical alterations



- Please be aware that if the power supply is not properly connected, you might damage the actuator!
- The green and yellow wires from parallel connected actuators must NOT be interconnected

I/O Specifications

The parallel drive function will support a number of actuators working jointly:

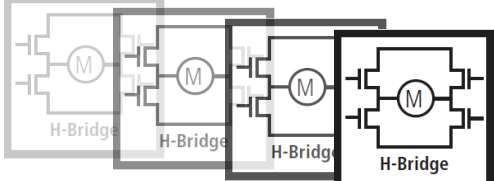


It is both possible to run parallel with a single power supply, or to run each actuator with separate power supplies:



Only standard power and signal cables are available for parallel.

If separate power supplies are used, they must have the same potential, and the power supply GND (blue wires) must be connected together.

| Input/Output | Specification | Comments |
|--------------|--|--|
| Description | Parallel drive of up to 8 actuators. A master actuator with an integrated H-bridge controller controls up to 7 followers. The version with "IC option" cannot be operated with PWM (power supply). |  |
| Brown | 12-24 VDC + (VCC) Connect Brown to positive 12 V ± 20% max. 5 A depending on load 24 V ± 10% max. 2.5 A depending on load Standard motor: 12 V, current limit 8 A Fast motor: 24 V, current limit 5 A | Note: Do not change the power supply polarity on the brown and blue wires! The parallel actuators can run on one OR separate power supplies Power supply GND (-) is electrically connected to the housing Current limit levels can be adjusted through BusLink (only one actuator at a time for parallel) If the temperature drops below 0° C, all current limits will automatically increase to 9 A for both 12 V and 24 V |
| Blue | 12-24 VDC - (GND) Connect Blue to negative 12 V ± 20% max. 5 A depending on load 24 V ± 10% max. 2.5 A depending on load Standard motor 12 V, current limit 8 A Fast motor 24 V, current limit 5 A | |
| Red | Extends the actuator | On/off voltages: > 67% of V_{IN} = ON < 33% of V_{IN} = OFF Input current: 10mA It does not matter where the in/out signals are applied. You can either choose to connect the signal cable to one actuator OR you can choose to connect the signal cable to each actuator on the line. Either way this will ensure parallel drive |
| Black | Retracts the actuator | |
| Green | Endstop signal out | Output voltage min. $V_{IN} - 2$ V Source current max. 100 mA Endstop signals are NOT potential free. Endstop signals can be configured with BusLink software according to any position needed. |
| Yellow | Endstop signal in | |
| Violet | Parallel communication: Violet cords must be connected together | Standby power consumption: 12 V, 60 mA 24 V, 45 mA No feedback available during parallel drive |
| White | Signal GND: White cords must be connected together | For correct wiring of power GND and Signal GND see next page |



- Current cut-offs should not be used as stop function! This might damage the actuator. Current cut-offs should only be used in emergencies!
- Current cut-off limits are not proportional with the load curves of the actuator. This means that the current cut-offs cannot be used as load indicator.
- There are tolerances on the spindle, nut, gear wheels etc. and these tolerances will have an influence on the current consumption for the specific actuator.

Terms of use

LINAK® takes great care in providing accurate and up-to-date information on its products. However, the user is responsible for determining the suitability of LINAK® products for a specific application.

Due to continuous development, LINAK products are subject to frequent modifications and changes. LINAK reserves the rights to conduct modifications, updates, and changes without any prior notice. For the same reason, LINAK cannot guarantee the correctness and actual status of imprinted information on its products.

LINAK uses its best efforts to fulfill orders. However, for the reasons mentioned above, LINAK cannot guarantee availability of any particular product at any given time. LINAK reserves the right to discontinue the sale of any product displayed on its website or listed in its catalogues or in other written material created and produced by LINAK, LINAK subsidiaries, or LINAK affiliates.

All sales are subject to the 'Standard Terms of Sale and Delivery for LINAK A/S'. Please contact LINAK for a copy.