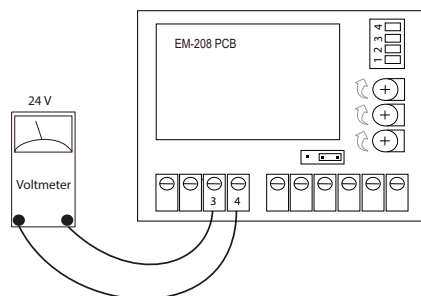


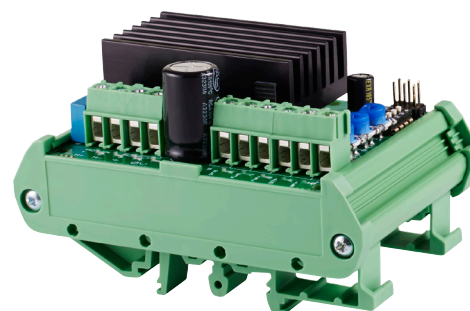
Self-help guide

TR-EM-208

Check of power supply to the PCB



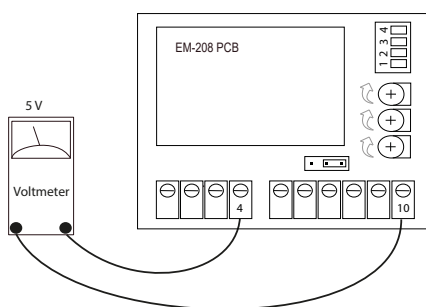
The supply must be 12/24 V DC. With the transformer TR-EM-XXX-T-230 the voltage will be 30-31 V DC.



3rd

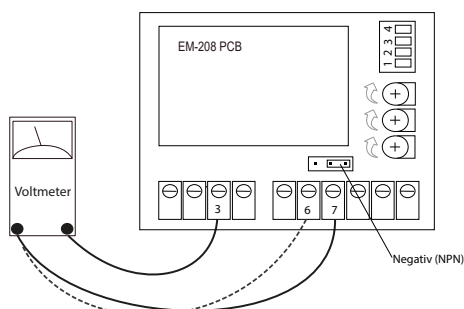
Third party product

Check the 5 volt output



Check the internal 5 V supply to the microprocessor. The voltage must be 5 V. At lack of voltage, the PCB is defective.

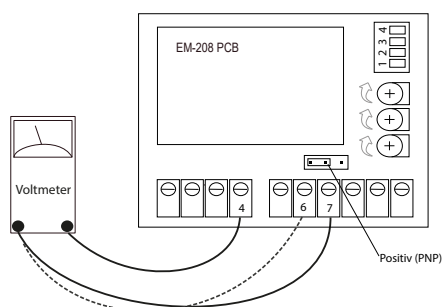
Check the control signal (hand control)



Negative (NPN)

Check the input signal terminal 6 and 7 respectively. It must be possible to measure a voltage between 5-32 V.

Check that the jumper is placed correctly.



Positive (PNP)

Check the input signal terminal 6 and 7 respectively. It must be possible to measure a voltage between 5-32 V.

Check that jumper is placed correctly.