

www.linak.com/techline

**MOVE FOR
THE FUTURE**



Step into the future world of movement and enhance your competitive edge.



LINAK 
WE IMPROVE YOUR LIFE



Cost-effective performance

When we claim that we can make your application more cost-effective, we base it on our ability to help you ensure less downtime, less time spend on maintenance, easier and faster set-up, more clever control and more accuracy in your application. All in all this can ensure a more cost-effective use of your application.

Ready for the future

To be ready for the future can mean different things. In our terminology it means being able to ensure that your application has the most convenient, up-to-date and clever features for performing at its best in regards to control, accuracy and speed.

Competitive edge

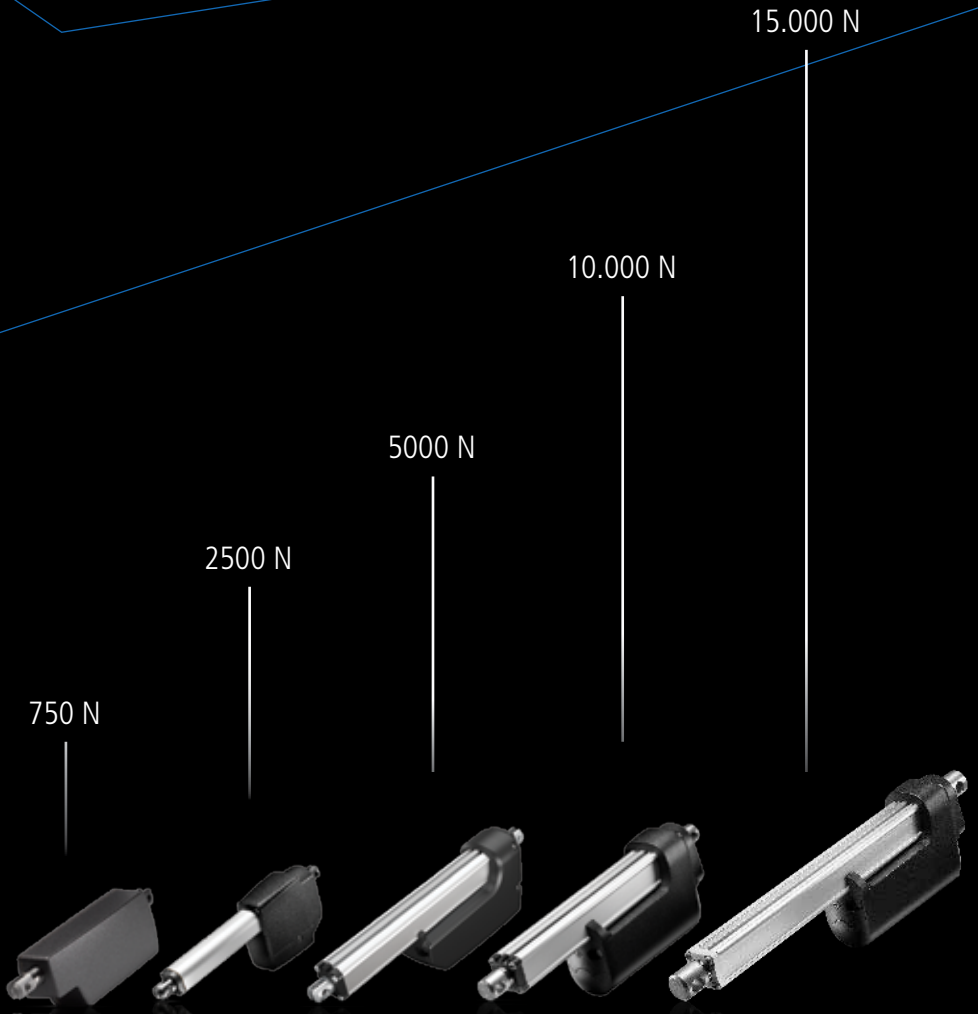
Cost-effective performance and innovative technology is exactly what you need in your application to make sure that you always keep your competitive edge and your ability to survive as a company in a highly competitive world

Do you want cost-effective performance, future-proof technology and a competitive edge, then go for LINAK actuators with integrated controller and Move for the Future.

For more information about the possibilities with an integrated controller (IC), please contact LINAK TECHLINE, or go to linak.com/techline/moveforthefuture.



Our range of actuators with IC options



IC actuators - Innovative thinking

Step into the future world of movement and enhance your competitive edge

Working with innovation means rethinking and remaking to create future solutions. We made an option for you with the controller built into the actuator. This is how you improve your business in a busy world.



About innovation

Innovation

"Innovation has become a distributed dynamic. R&D, which used to happen behind closed doors, is becoming a more open, iterative process. Because businesses are already behind the tech innovation curve, they must find ways to tap into the innovation happening all around them."

Source: Forbes magazine

Trends

"We experience an increasing demand for innovative technology. Our customers see this as a means to ensure their survival in a highly competitive world."

Morten Junker, Sales manager, LINAK TECHLINE Division

Creativity

Creative thinking is how LINAK got started in the first place. Creativity goes hand in hand with innovation – both when it comes to developing new solutions and finding new applications for our products. As long as creative ideas result in added value to our customers LINAK will pursue them unremittingly.

LINAK® - We improve your life



While working on a wheelchair for at disabled fellow student who had lost his mobility in an accident, Bent Jensen, CEO and owner of LINAK, got the idea for the first actuator.



Innovative solutions that can improve people's quality of life and working environment have therefore been a part of the LINAK DNA right from the beginning.



We think of our slogan as a promise which is reflected in our values and in the way we run our business.

More than a supplier

We do not want to be merely another supplier to our customers. We want to be your partner.

When partnering with LINAK® you get more than just a product in your hands. Our goal is to create added value to our customers by offering innovative solutions, extensive knowledge, world-class production and global presence.



Ever since the first actuator was developed, LINAK has continuously brought new and innovative ideas to the marketplace.



In-depth knowledge of trends within the market is what makes LINAK a true solutions provider.

- Approximately 1,900 dedicated employees worldwide.
- LINAK represented in 35 countries.
- Production in Denmark, China, Slovakia and the United States.



We aim at being the leading manufacturer in the business, having a world-class production.



LINAK has a well-developed sales and service organisation in Europe, Americas, Asia and Australia. Therefore, we can assist you and your customers locally, under the global sales concept idea: **Be global, act local**



We add value to your products by offering innovative solutions, extensive knowledge, world-class production and global presence.

Terms of use

The user is responsible for determining the suitability of LINAK products for a specific application. LINAK takes great care in providing accurate and up-to-date information on its products. However, due to continuous development in order to improve its products, LINAK products are subject to frequent modifications and changes without prior notice. Therefore, LINAK cannot guarantee the correct and actual status of said information on its products. While LINAK uses its best efforts to fulfil orders, LINAK cannot, for the same reasons as mentioned above, guarantee the availability of any particular product. Therefore, LINAK reserves the right to discontinue the sale of any product displayed on its website or listed in its catalogues or other written material drawn up by LINAK.

All sales are subject to the Standard Terms of Sale and Delivery for LINAK. For a copy hereof, please contact LINAK.



For further information, please visit our websites:

www.linak.com/techline



WE IMPROVE YOUR LIFE