



Focus on
the food and beverage industry

Understanding your needs

Companies within the food and beverage industry face many daily challenges. Besides the constant attention to process optimisation there has come ever more focus on ergonomic working conditions. Investigations indicate that an ergonomically correct working posture can be a contributory factor to preventing work-related injuries.

Furthermore, electric actuators contain no toxic or potentially harmful oil, which makes electric actuator systems the perfect solution for the food industry.

The stainless steel actuators from LINAK® offer advanced automation and optimal adjustment of working facilities within the food and beverage industry.

What can LINAK offer you:

- The ideal electric actuator solution for adjustments, tilting, pushing, pulling and lifting with thrusts up to 15,000N
- An environmentally friendly design – no risk of leakage of dangerous liquids causing contaminated food
- Maintenance-free products that have been thoroughly tested to withstand strong detergents and other cleaning demands
- A wide product range
- Actuators that are easy and fast to operate by means of hand controls, remote controls or switches

- High speed and low power consumption
- Actuators that are designed to operate under harsh and rugged conditions with vibrations
- Low noise level

LINAK as your partner

We do not want to be merely another supplier to our customers. We want to be your partner.

It is important to us that your machines work relentlessly, and we know that any failure can impact the safety of people but also result in costly delays. All our actuators have been put through extensive testing so you can rest assured that your TECHLINE® actuator solutions will do the job no matter what.

Furthermore, when partnering with LINAK you get more than just a product in your hands. All members of the TECHLINE team of engineers and consultants have vast product and application expertise and it is our goal to create added value to our customers by offering innovative solutions, extensive knowledge, world-class production and global presence.



What LINAK® actuators do for the mixer kettle

The food and beverage industry relies heavily on manual processes, but electric linear actuators from LINAK® make it possible to replace manual work with automated solutions. To the user of a mixer kettle this means easy operation of the machine when e.g. tilting the kettle.



Tilting function

Easy tilting of the mixer kettle



What LINAK® actuators do for the industrial kitchen table

LINAK® products need no maintenance and are an ideal choice for stainless steel kitchen tables that are exposed to water and different kinds of grease on a daily basis.

Furthermore, with an automated actuator solution from LINAK, employees can be spared straining work postures as the kitchen tables can be individually adjusted according to demand. This improves the working environment for the individual employee and can contribute to reducing the absenteeism in the long run.



Height adjustment

Adjustment of the table height for an ergonomically better working posture



What LINAK® actuators do for the industrial dishwasher

Actuator solutions from LINAK® provide safe and easy electric linear movement in various industrial environments. LINAK actuators are lightweight and precise and have smooth motion control as well as reliable performance.

For the industrial dishwasher, LINAK actuators offer automated opening and closing of the hood, which improves ergonomics and ensures simple operation of the machine.





Hood opener

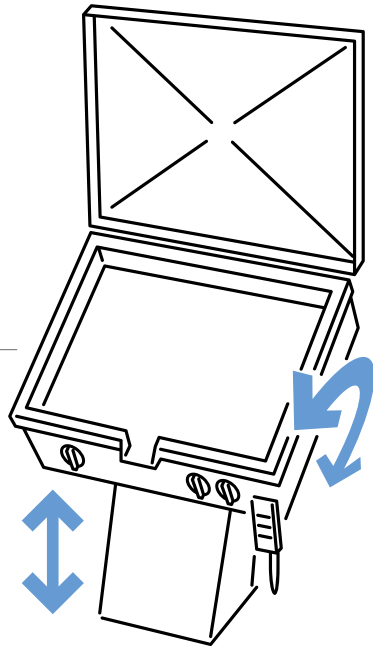
Easy opening and closing
of the dishwasher hood

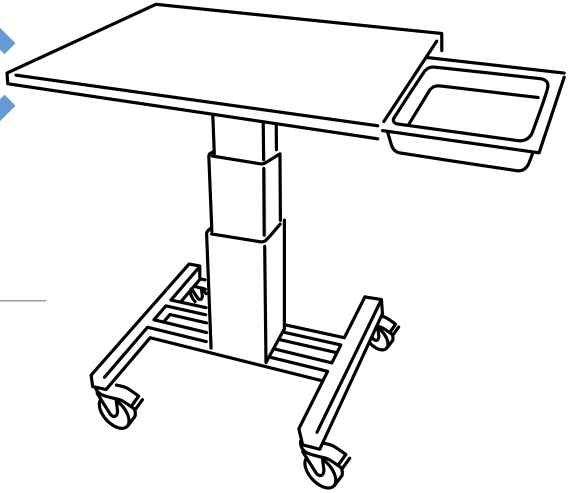
What LINAK® actuators do for the food and beverage industry

LINAK® actuators ensure user-friendly operation as well as high-quality and long lasting performance in various applications within the food and beverage industry.

Due to their high flexibility the actuators can easily be customised for a specific solution. Their small size and ability to interface with programmable control systems makes installation into applications even easier.

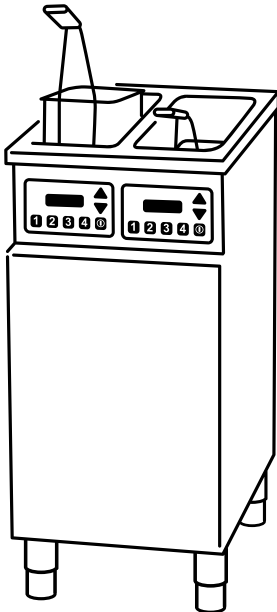
Bratt pan
Height adjustment and tilting of the pan, ensuring optimal working posture and easy cleaning





Kitchen trolley

Height adjustment of the trolley, ensuring optimal working posture



Fryer

Automated lifting of the frying basket when the food is ready

Move for the future

Step into the future world of movement and enhance your competitive edge.

Do you want cost-effective performance, innovative technology and a competitive edge?

Go for IC™ and Move for the Future™



IC movement for the food and beverage industry

IC is the range of integrated control options for TECHLINE® actuators that present you with almost unlimited possibilities for superior control and monitoring, to enhance the value and performance of your application.

For the food and beverage industry, actuators with IC provide cost-effective performance and innovative technology:

- Simple installation with built-in electronics.
- Easy overview and precise control of the actuator movement.

- The actuator can be customised on site to fit multiple solutions in a single application.
- Easy monitoring of the actuator's condition which ensures a minimum of downtime.
- All IC options are based on the same well-tested interface, which is covered by the actuator's IP degree.

If you are looking for a movement solution that will help you stay competitive in the future, then go for LINAK actuators with integrated controller, and Move for the Future.

Integrated Controller:

- Customisable feedbacks
- Parallel movement
- BUS communication



For more information on IC, please go to

[LINAK.COM/SEGMENTS/TECHLINE/TECH-TRENDS/INTEGRATED-CONTROL/](https://www.linak.com/segments/techline/tech-trends/integrated-control/)

Actuators for the food and beverage industry

Actuator LA37 - solid and powerful

Tough applications require equally tough actuator solutions. The actuator LA37 is specifically developed for heavy-duty applications in harsh environments, where there is a need for high lifting capacity and holding force. The LA37 offers the well-known LINAK quality, guaranteeing you a maintenance-free product with a long lifetime.



LA37 features:

- Max thrust up to 15,000 N
- Max speed up to 3.5 mm/sec
- Standard stroke 100-600 mm
- Protection class IP66 / IP69K
- Voltage 12 or 24V DC
- Heavy-duty aluminum housing for harsh conditions
- Integrated brake, high self-locking ability
- Hall sensors or potentiometer for relative or absolute feedback, regardless of the stroke length
- Built-in endstop
- Solid metal construction
- Hand crank for manual operation
- Salt spray and chemical tested
- High-pressure cleaning resistant
- **Available with IC™**

Actuator LA36 - reliable and tough

The actuator LA36 is one of the most solid and powerful LINAK actuators, designed to operate under extreme conditions. The LA36 is a maintenance-free product with a long lifetime and a high IP degree. This high-quality actuator offers a very strong alternative to hydraulic solutions.



LA36 features:

- Max thrust up to 10,000 N
- Max speed up to 160 mm/sec
- Standard stroke 100-999 mm
- Heavy-duty aluminium housing for harsh conditions
- Protection class IP66 / IP69K
- Integrated brake, high self-locking ability
- Voltage 12, 24 or 36 V DC
- Hall sensors or potentiometer for relative or absolute feedback, regardless of the stroke length
- Endstops: slip clutch or built-in limit switches
- Solid metal construction
- Hand crank for manual operation
- Salt and chemical tested
- High-pressure cleaning resistant
- **Available with IC™**

Actuators for the food and beverage industry

Actuator LA33 - tough and powerful

The actuator LA33 is a true mid-size actuator that combines compact design and high power in one solution, fit for use in the most extreme environments. A thorough and demanding testing programme forms the basis for the maintenance-free and long lasting performance of this solid and high-quality actuator.



LA33 features:

- Max thrust up to 5,000 N
- Max speed up to 30 mm/sec
- Standard stroke 100-600 mm
- Heavy-duty aluminium housing for harsh conditions
- Solid metal construction
- Protection class IP66 / IP69K
- Integrated brake, high self-locking ability
- Voltage 12 or 24 V DC
- Hall sensors for relative or absolute feedback, regardless of the stroke length
- Built-in endstop switches
- Hand crank for manual operation
- Salt spray and chemical tested
- **Available with IC™**

Actuator LA31 - quiet and powerful

The actuator LA31 is a very quiet and powerful actuator designed for a variety of applications.

Due to its high capacity and design the actuator is ideal for industrial applications. Furthermore, the various combinations of motor, spindle pitch, back fixture and piston rod eye gives a vast number of solutions.



LA31 features:

- Max thrust up to 6,000 N in push and up to 4,000 N in pull
- Max speed 32 mm/sec
- Standard protection class IPX1
- Stroke up to 600 mm
- Zinc alloy back fixture
- Potential free limit switches as an option
- Strong wear and corrosion resistant stainless steel inner tube
- Built-in limit switches
- Voltage 12 or 24 V DC

Actuators for the food and beverage industry

Actuator LA25 - tough and compact

With its robust design, high IP degree and aluminium housing, the actuator LA25 is ideal for harsh environments where operation under extreme conditions is required. Furthermore, the compact dimensions of the LA25 make it applicable for confined spaces.



LA25 features:

- Max thrust up to 2,500 N
- Max speed 12 mm/sec
- Standard stroke 20-300 mm
- Protection class IP66 and IP69K
- Voltage 12 or 24 V DC
- Built-in electrical endstop
- **Available with IC™**

Actuator LA23 - small and strong

The actuator LA23 is a small and strong push or pull actuator with a high lifting force up to 2500N. The LA23 can be used in various applications where size is important.



LA23 features:

- Max thrust up to 2,500 N
- Max speed 9.4 mm/sec
- Standard stroke 20-300 mm
- Protection class IPX6
- Voltage 12 or 24 V DC
- Electrical and mechanical endstop
- **Available with Basic IC™**

Actuators for the food and beverage industry

Actuator LA14 - robust and reliable

The actuator LA14 is a very tough actuator with a high IP degree and aluminium housing, making it ideal for use in harsh and demanding environments. The LA14 offers top quality in every detail and ensures reliable performance in temperatures ranging from -40° to +85 °C. With its small size the LA14 is well suited for applications that require short linear movements.

LA14 features:

- Max thrust up to 750 N
- Max speed up to 45 mm/sec
- Standard stroke 40-130 mm
- Voltage 12 or 24 V DC
- Protection class IP66 dynamic / IP69K static
- **Available with IC™**

IC INTEGRATED CONTROLLER



Actuator LA12 - reliable and compact

Thanks to its small size and outstanding performance, the actuator LA12 provides a practical and cost-effective alternative to small-scale traditional hydraulic and pneumatic systems. The LA12 is ideal for applications requiring short linear movements. After many years on the market, the actuator LA12 demonstrated that it is a very reliable and robust actuator that can handle almost any situation and challenge.

LA12 features:

- Max thrust: 750 N
- Max speed: 40 mm/sec
- Standard stroke: 40-130 mm
- Protection class IP66
- Voltage 12-24 V
- **Available with Basic IC™**

IC INTEGRATED CONTROLLER



Actuators for the food and beverage industry

SMPS-T160

The SMPS-T160 is a powerful Switch Mode Power Supply typically used for outdoor applications within the TECHLINE® segments. SMPS-T160 is an eco-friendly solution due to a low standby power consumption compared to traditional transformer solutions.

The universal input voltage makes the SMPS adaptable to the worldwide market irrespective of the input voltage.



SMPS-T160 features:

- Input: 100VAC to 240VAC
- Output: 29V DC, 5.5Amp, 20% duty cycle at 25°C
- Standby: 0.1W
- Protection Class: IP66
- Housing: Anodised aluminum
- Cables: Exchangeable
- Compatible with LA12 IC™, LA14 IC™, LA23 IC™, LA25 IC™ and LA35 IC™

100% function tests

In each application, the actuator is just one component of many, but at TECHLINE® we fully appreciate that it is of utmost importance to you and your customers. Not a single actuator leaves LINAK® until it has undergone a 100% function test.

Depending on the actuator type, various tests have been carried through. Please consult your local LINAK office or take a look at the actuator data sheet in question to get a thorough test overview.

This is your guarantee that a solution based on LINAK TECHLINE electric actuator systems is a solution that will work reliably for years and years.

Electrical tests:

All electrical parts are tested i.e. power supply, power and signals cables, control signals etc. Electrical immunity is tested according to industrial standards i.e. for radio noise, electrical discharge and burst.*

(*) These tests do not apply to third party products!

Climatic tests:

In the climatic test the actuators are tested to operate in extreme temperatures as well as to endure rapid changes in temperature. In some tests, the actuator has to withstand going from a +100°C environment to -30°C repeatedly and still maintain full functionality.

Mechanical tests:

Vibration: The actuator must withstand continuous vibration in three directions.

Shock: The shock test puts the actuator through 3 shocks of up to 100 G in each of 6 directions.

Bump: The actuator receives bumps of up to 40 G in each of six directions several hundred times.

- EN/IEC 61000-6-4** - Generic standard emission industry
- EN/IEC 60204** - Electrical equipment of machinery
- EN 50121-3-2** - Railway applications - Rolling stock apparatus
- 94/25/EC** - Recreational crafts directive
- EN/ISO 13766** - Earth moving machinery
- EN/IEC 61000-6-2** - Generic standard immunity industry
- 2004/104/EC** - Automotive Directive
- EN/ISO 14982** - Agricultural and forestry machines
- EN/ISO 13309** - Construction machinery



- EN600068-2-1 (Ab)** - Cold test
- EN600068-2-2 (Bb)** - Dry heat:
- EN600068-2-14** - Change of temperature
- EN600068-2-30** - Damp heat
- EN600068-2-52** - Salt spray
- EN60529-IP66** - Degrees of protection
- BS7691/96 hours** - Chemicals



- EN600068-2-36 (Fdb)** - Vibration
- EN600068-2-29 (Eb)** - Bump
- EN600068-2-27 (Ea)** - Shock





Global presence

LINAK has a well-developed sales and service organisation in Europe, the Americas, Asia and Australia. Therefore, we can assist you and your customers locally, under the global sales concept idea: Be global, act local



For further information, please visit our website:
[LINAK.COM/BUSINESS-AREAS/INDUSTRIAL-AUTOMATION/
FOOD-AND-BEVERAGE-AUTOMATION/](https://www.linak.com/BUSINESS-AREAS/INDUSTRIAL-AUTOMATION/FOOD-AND-BEVERAGE-AUTOMATION/)

TERMS OF USE

The user is responsible for determining the suitability of LINAK products for a specific application. LINAK takes great care in providing accurate and up-to-date information on its products. However, due to continuous development in order to improve its products, LINAK products are subject to frequent modifications and changes without prior notice. Therefore, LINAK cannot guarantee the correct and actual status of said information on its products. While LINAK uses its best efforts to fulfil orders, LINAK cannot, for the same reasons as mentioned above, guarantee the availability of any particular product. Therefore, LINAK reserves the right to discontinue the sale of any product displayed on its website or listed in its catalogues or other written material drawn up by LINAK.

All sales are subject to the Standard Terms of Sale and Delivery for LINAK. For a copy hereof, please contact LINAK.

LINAK has a world-class sales and service organisation.
Today we are present in 35 countries all over the world.
For further information, please visit our website: [LINAK.COM](https://www.linak.com)

LINAK® 
WE IMPROVE YOUR LIFE