



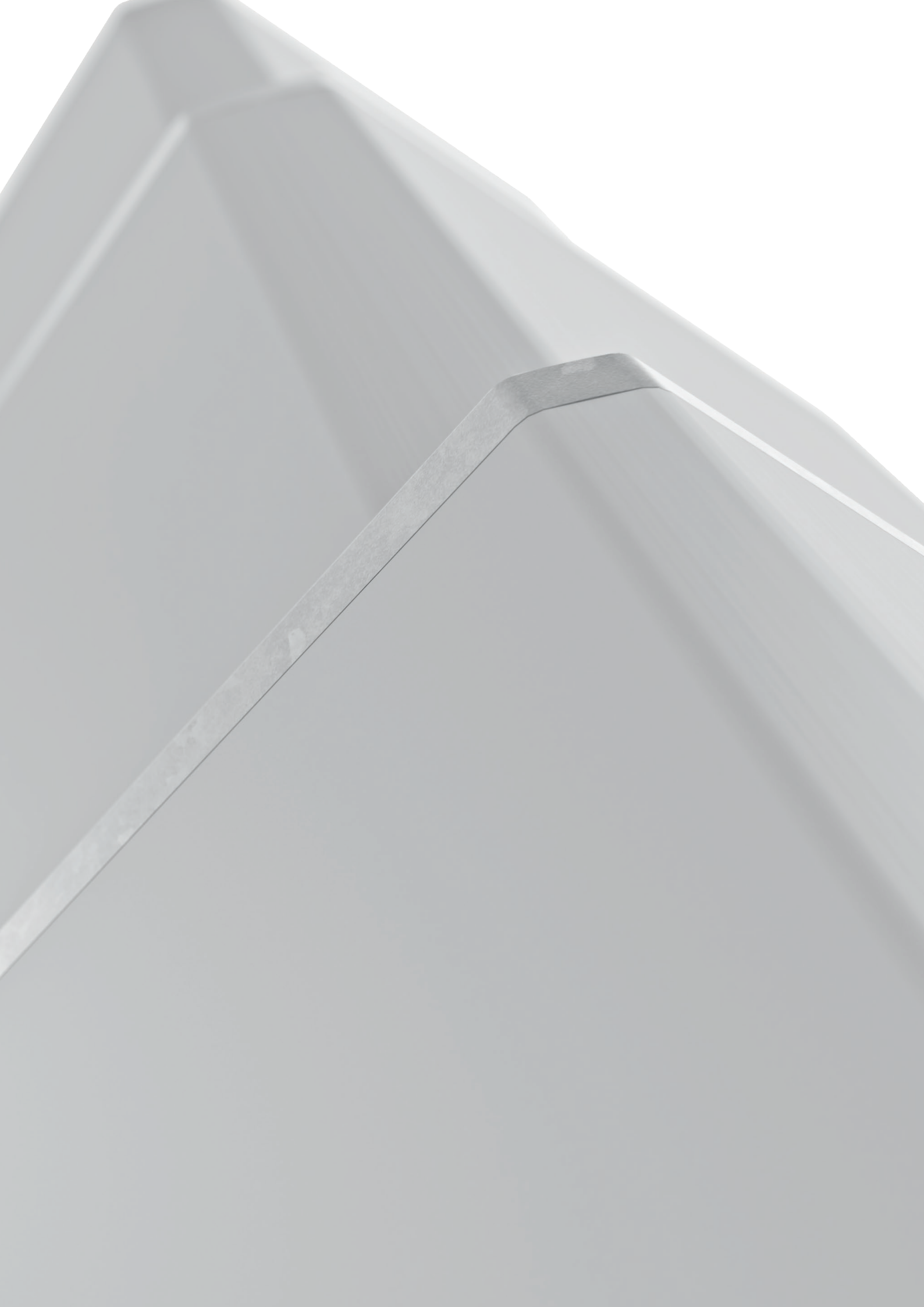
LC3

A strong lifting column sets the standard for vertical lifting

Quiet. Safe. Powerful.

Meeting customers' requests for powerful lifting with

- High bending moment
- High speed
- Compact built-in dimensions
- Unique quality sound below 50 dB
- Safety factor 5 in push and pull
- Smooth and anodised aluminium surface



Facts about the LC3

- Designed for floor and ceiling applications
- Quiet movement even with substantial loads
- High load capability in both push and pull

Load in push	4,000 N	5,000 N	6,000 N
Speed in mm/s, zero load	29	24	18
Max load	26	19	15
Load in pull	4,000 N		
Profile colour	Anodised aluminium		
Protection class	IPX4 standard, IPX6 optional		
Motor	24 V DC		
Stroke length	400-700 mm in steps of 50 mm. In steps of 1 mm on request.		
Built-in dimensions	1/2S + 120 mm, min. BID 320 1/2S + 240 mm, min. BID 440		
Positioning options	Dual Hall, Potentiometer		
Safety nut	Standard		
Built-in end-stop switch	Signal switch - LINAK CO control boxes Power switch for customer supplied control box		
Static safety factor	Push: SF 5, Pull: SF 5		
Protective grounding cable	Optional		
Cables through the column	Mains, hand control, motor cable		
Mounting directions	Large profile down or large profile up		
Connection of motor cable	Fixed or detachable		
Mounting of accessory	Mounting holes for bracket on request		
Duty cycle	10%, 2 minutes continuous use followed by 18 minutes not in use		
Approvals	IEC 60601-1 IEC 60601-1-6 ANSI/AAMI ES60601-1 CAN/CSA-C22.2 No. 60601-1		

If you want to know more about our LC3 columns , please follow the links below:



About LC3

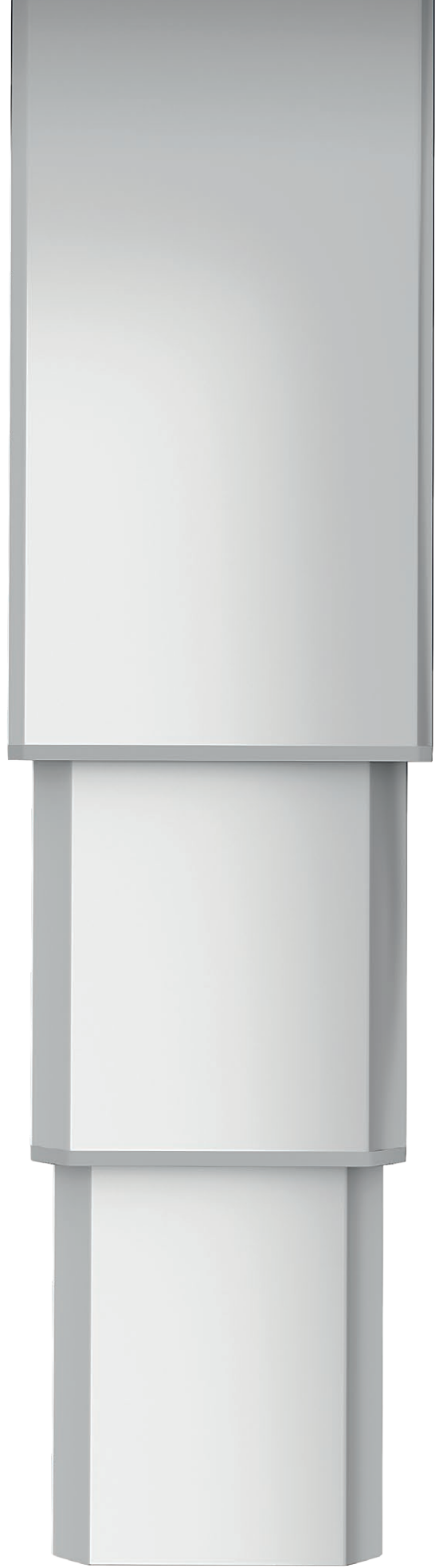


See our LC3 movie



Find our local LINAK office

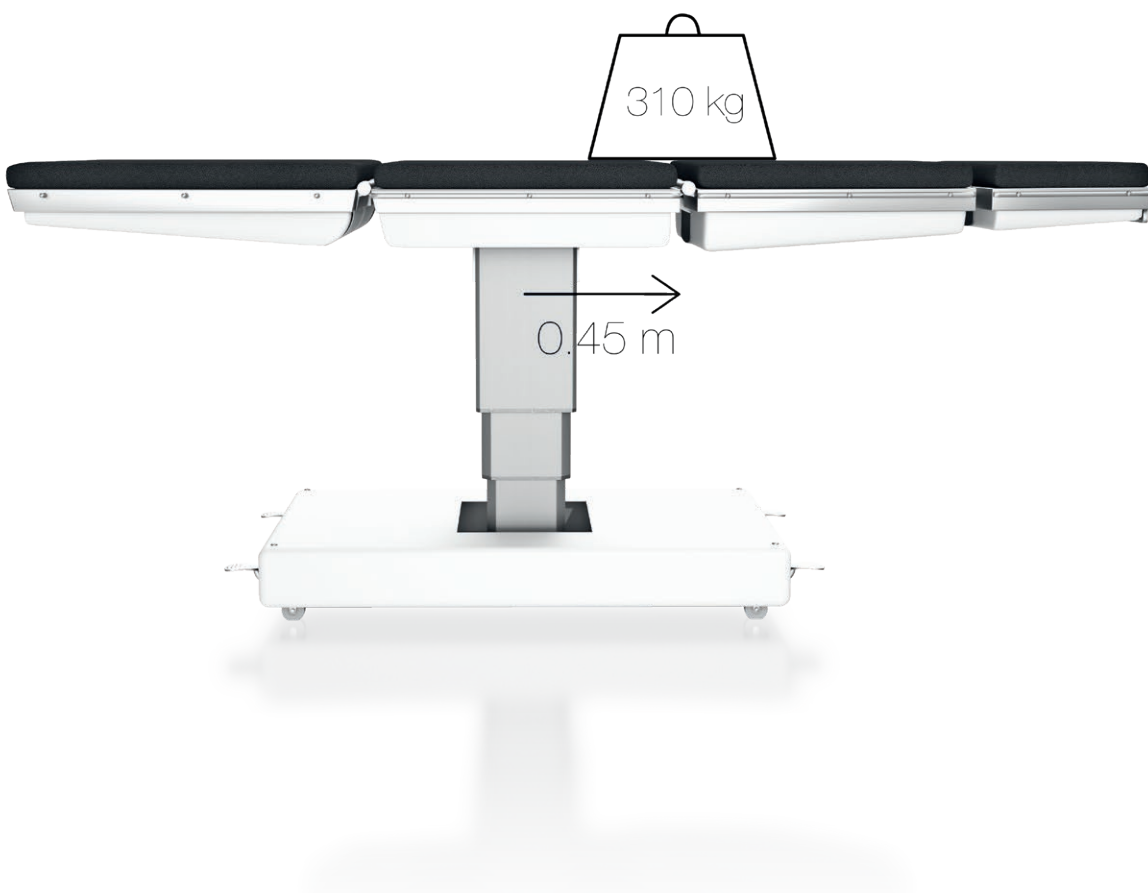
IPX4



IPX4
IPX6

High bending moment

for high off-centre load.

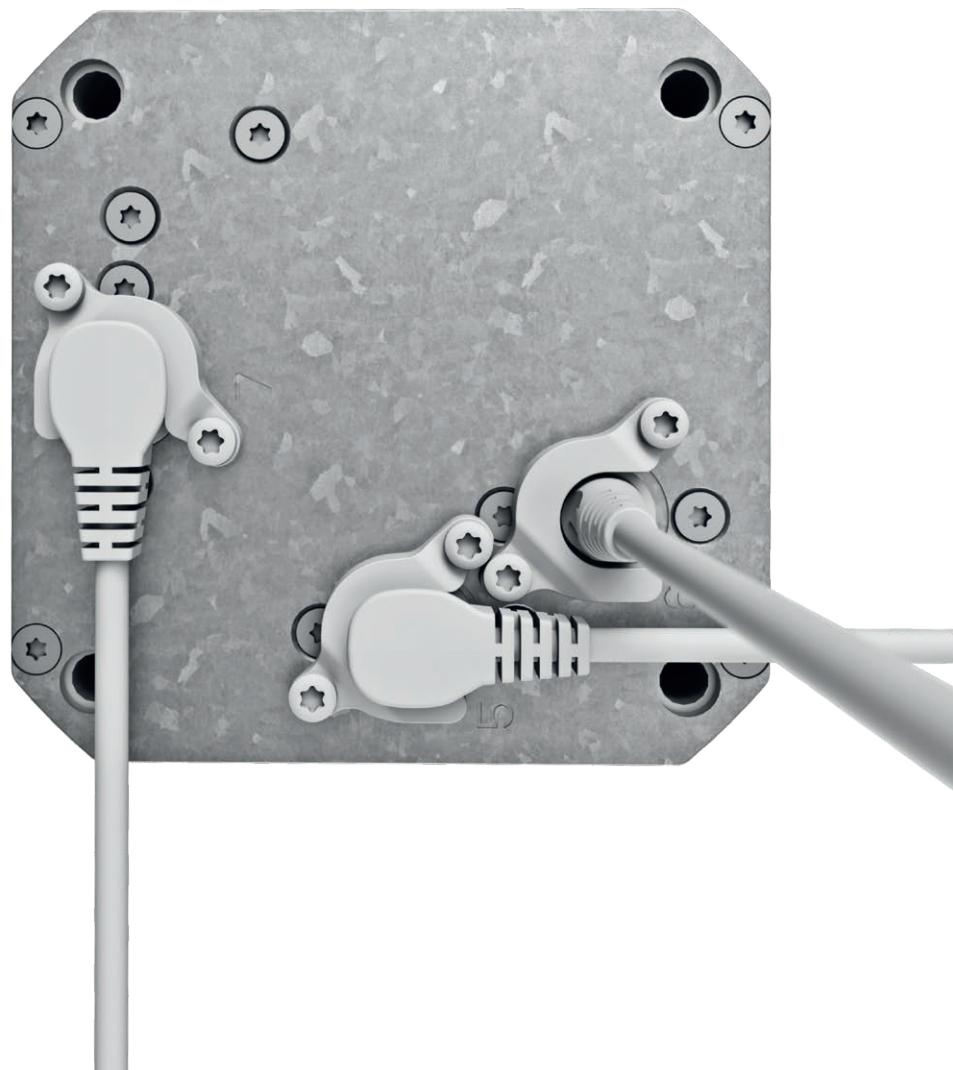


Dynamic bending moment	Up to 1,400 Nm
Static bending moment	Up to 3,000 Nm

Advanced and flexible cable management

- Mains cable
- Hand control cable
- Motor cable
- Earthed cable

More than 30 combinations.



LINAK® accepts no responsibility for possible errors or inaccuracies in catalogues, brochures, and other material. LINAK reserves the right to change its products without prior notice. LINAK cannot guarantee product availability and reserve the right to discontinue the sale of any product. User is responsible for determining the suitability of LINAK products for a specific application. All sales are subject to the 'Standard Terms of Sale and Delivery', available on LINAK websites.

LINAK and the LINAK logotype are registered trademarks of LINAK A/S. All rights reserved.



Built on state-of-the-art technologies and refined processes by competent people, you can expect the same quality worldwide.



Innovation is in our core. We have the curiosity to think innovatively and the power to make it real on all levels.



We are responsible in what we do – towards customers, employees and environment. Creating trust and taking care is in our DNA.



From global presence to local understanding. We believe in world-wide support and being close to our customers.
